

PRODUCT CODE: MP39
CHANNEL BRACKET

DESCRIPTION

Large C Clamp c/w Cone Point

FINISH

Hot Dipped Galvanised

MATERIAL

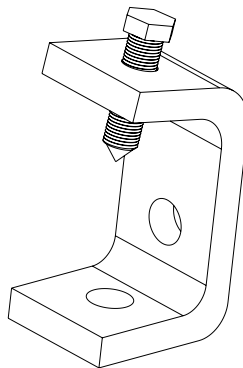
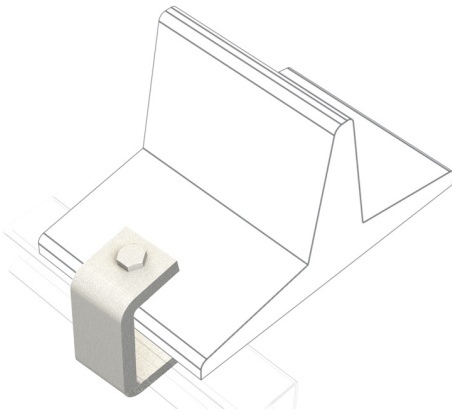
Steel

PACKAGING

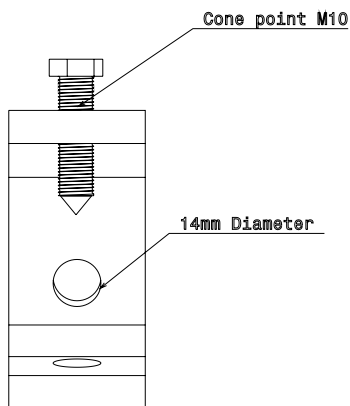
Packed in qty 25

ADDITIONAL NOTES

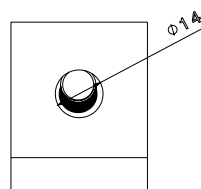
Supplied with M10 x 40mm 8.8HT BZP Cone Point Bolt



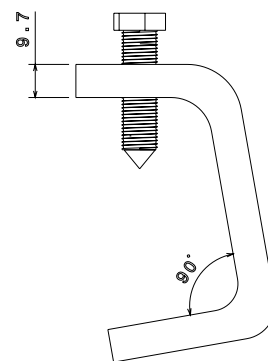
Isometric view



Front view



Bottom View



Front view